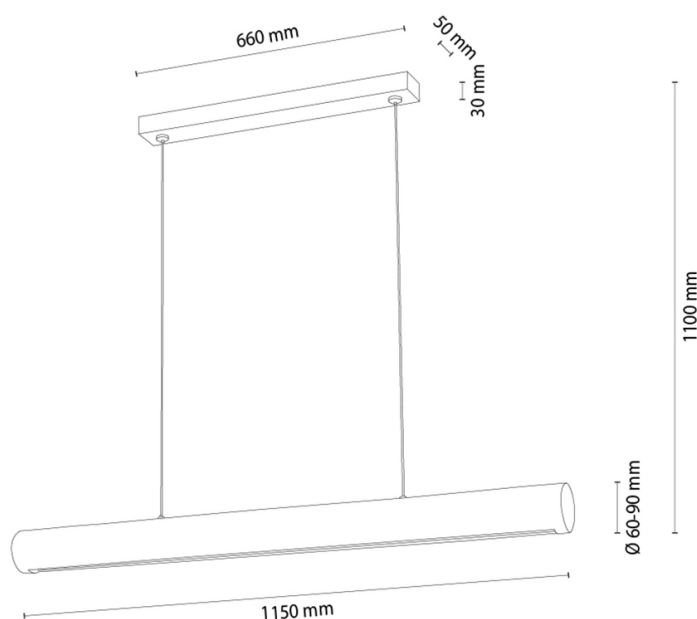


# VUDOVI

## Pendant Lamp



Article number:	1015132700000
EAN:	5905840267758
Light source:	1xLED 12V Integrated
LED power W:	45
AC voltage:	220-240V
Luminous power lm:	1919 lm
Color temperature K:	3000K
Color rendering index CRI:	CRI ≥ 80
IP protection class:	IP20
Protection class:	2
Up&Down system:	N/A
Touch dimmer:	TAK
Click&Dimm system:	N/A
Magnetic mounting:	N/A
LED lighting method:	Direct LED lighting
Lamp material:	Metal, Stained pine
Lamp color:	Black, Walnut
Lampshade No.:	N/A
Lampshade material:	N/A
Lampshade color:	N/A
Cable material:	Synthetic
Cable color:	Transparent
CE Declaration:	<a href="#">Download</a>
FSC certificate:	<a href="#">FSC-C129231</a>
Lamp dimensions	
Height (mm):	1100
Width (mm):	60-90
Length (mm):	1150
Diameter (mm):	
Net weight kg:	4,30
Gross weight kg:	5,20
Dimensions of carton No.1	
Height (mm):	130
Width (mm):	190
Length (mm):	1200
Dimensions of carton No.2	
Height (mm):	N/A
Width (mm):	N/A
Length (mm):	N/A
Dimensions of carton No.3	
Height (mm):	N/A
Width (mm):	N/A
Length (mm):	N/A



Made in Poland · 5 Years Guarantee