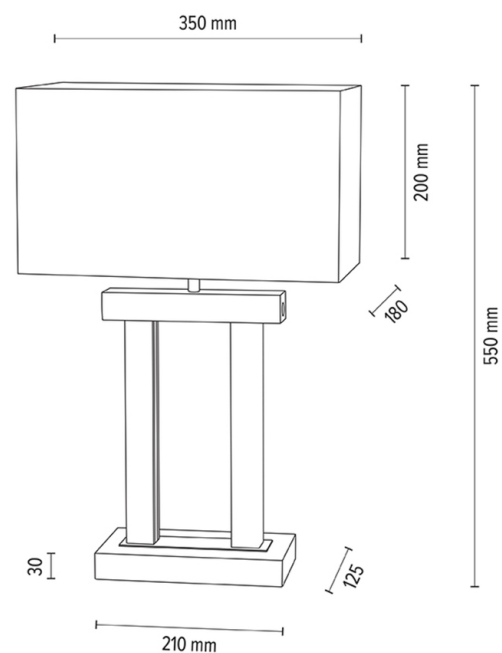


HAKON

Table lamp



Article number:	7017407711780
EAN:	5905575056078
Light source:	1xE27 Max.40W, 2x LED 24V Integrated
LED power W:	40W
AC voltage:	220-240V
Luminous power lm:	570 lm
Color temperature K:	3000K
Color rendering index CRI:	CRI ≥ 80
IP protection class:	IP20
Protection class:	2
Up&Down system:	N/A
Touch dimmer:	YES
Click&Dimm system:	N/A
Magnetic mounting:	N/A
LED lighting method:	Indirect LED lighting
Lamp material:	Metal, Oak wood
Lamp color:	Nickel Matt, Oiled Oak
Lampshade No.:	A1780
Lampshade material:	Cotton fabric
Lampshade color:	White
Cable material:	Fabric
Cable color:	Black
CE Declaration:	Download
FSC certificate:	FSC-C129231
Lamp dimensions	
Height (mm):	550
Width (mm):	200
Length (mm):	350
Diameter (mm):	
Net weight kg:	1,47
Gross weight kg:	1,92
Dimensions of carton No.1	
Height (mm):	480
Width (mm):	210
Length (mm):	380
Dimensions of carton No.2	
Height (mm):	n/a
Width (mm):	n/a
Length (mm):	n/a
Dimensions of carton No.3	
Height (mm):	n/a
Width (mm):	n/a
Length (mm):	n/a



Made in Poland · 5 Years Guarantee