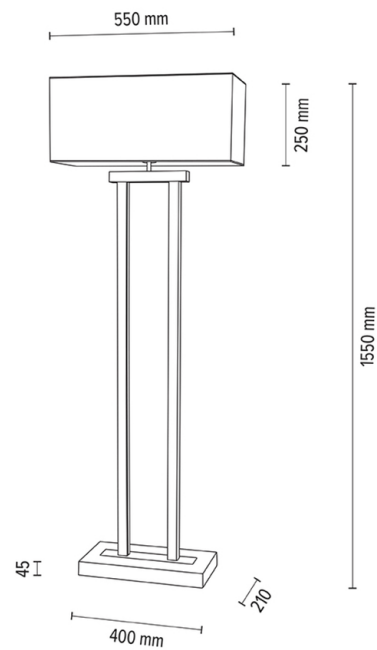


HAKON

Floor lamp



Article number:	6037401511778
EAN:	5905575056054
Light source:	1xE27 Max.40W, 2x LED 24V Integrated
LED power W:	40W
AC voltage:	220-240V
Luminous power lm:	2531 lm
Color temperature K:	3000K
Color rendering index CRI:	CRI ≥ 80
IP protection class:	IP20
Protection class:	2
Up&Down system:	N/A
Touch dimmer:	YES
Click&Dimm system:	N/A
Magnetic mounting:	N/A
LED lighting method:	Indirect LED lighting
Lamp material:	Metal, Oak wood
Lamp color:	Black, Oiled Oak
Lampshade No.:	A1778
Lampshade material:	Linen fabric
Lampshade color:	Beige
Cable material:	Fabric
Cable color:	Black
CE Declaration:	Download
FSC certificate:	FSC-C129231
Lamp dimensions	
Height (mm):	1550
Width (mm):	210
Length (mm):	560
Diameter (mm):	
Net weight kg:	3,95
Gross weight kg:	5,90
Dimensions of carton No.1	
Height (mm):	1450
Width (mm):	280
Length (mm):	580
Dimensions of carton No.2	
Height (mm):	n/a
Width (mm):	n/a
Length (mm):	n/a
Dimensions of carton No.3	
Height (mm):	n/a
Width (mm):	n/a
Length (mm):	n/a



Made in Poland · 5 Years Guarantee