

HAKON

Floor lamp



Article number:	6037401411777
EAN:	5905575056047
Light source:	1xE27 Max.40W, 2x LED 24V Integrated
LED power W:	40W
AC voltage:	220-240V
Luminous power lm:	2738 lm
Color temperature K:	3000K
Color rendering index CRI:	CRI ≥ 80
IP protection class:	IP20
Protection class:	2
Up&Down system:	N/A
Touch dimmer:	YES
Click&Dimm system:	N/A
Magnetic mounting:	N/A
LED lighting method:	Indirect LED lighting
Lamp material:	Metal, Oak wood
Lamp color:	Nickel Matt, Oiled Oak
Lampshade No.:	A1777
Lampshade material:	Cotton fabric
Lampshade color:	White
Cable material:	Fabric
Cable color:	Black
CE Declaration:	Download
FSC certificate:	FSC-C129231

Lamp dimensions

Height (mm):	1550
Width (mm):	210
Length (mm):	560
Diameter (mm):	
Net weight kg:	3,95
Gross weight kg:	5,90

Dimensions of carton No.1

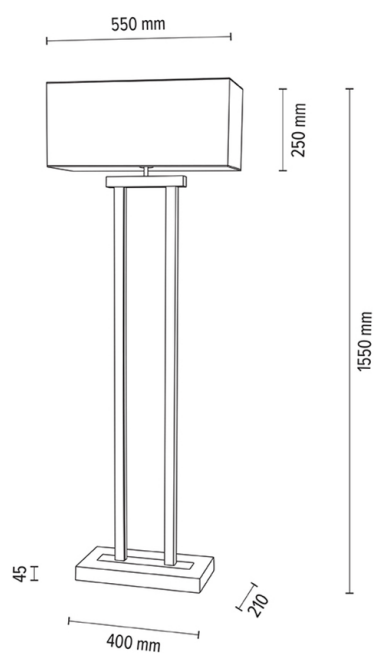
Height (mm):	1450
Width (mm):	280
Length (mm):	580

Dimensions of carton No.2

Height (mm):	n/a
Width (mm):	n/a
Length (mm):	n/a

Dimensions of carton No.3

Height (mm):	n/a
Width (mm):	n/a
Length (mm):	n/a



Made in Poland · 5 Years Guarantee