

# MERCEDES

## Table lamp



Article number:	7017400211535
EAN:	5905840252822
Light source:	1xE27 Max.40W
LED power W:	N/A
AC voltage:	220-240V
Luminous power lm:	N/A
Color temperature K:	N/A
Color rendering index CRI:	N/A
IP protection class:	IP20
Protection class:	2
Up&Down system:	N/A
Touch dimmer:	N/A
Click&Dimm system:	N/A
Magnetic mounting:	N/A
LED lighting method:	N/A
Lamp material:	Metal, Oak wood
Lamp color:	Nickel Matt, Oiled Oak
Lampshade No.:	A1535
Lampshade material:	Jacquard fabric
Lampshade color:	White
Cable material:	Fabric
Cable color:	Anthracite
CE Declaration:	<a href="#">Download</a>
FSC certificate:	<a href="#">FSC-C129231</a>

### Lamp dimensions

Height (mm):	600
Width (mm):	240
Length (mm):	360
Diameter (mm):	
Net weight kg:	1,10
Gross weight kg:	1,96

### Dimensions of carton No.1

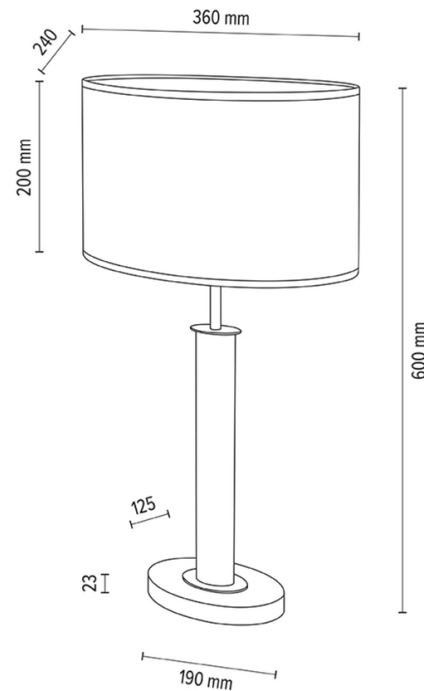
Height (mm):	520
Width (mm):	280
Length (mm):	390

### Dimensions of carton No.2

Height (mm):	n/a
Width (mm):	n/a
Length (mm):	n/a

### Dimensions of carton No.3

Height (mm):	n/a
Width (mm):	n/a
Length (mm):	n/a



Made in Poland · 5 Years Guarantee