

MERCEDES

Wall lamp



Article number:	2017400211537
EAN:	5905840252846
Light source:	1xE27 Max.40W
LED power W:	N/A
AC voltage:	220-240V
Luminous power lm:	N/A
Color temperature K:	N/A
Color rendering index CRI:	N/A
IP protection class:	IP20
Protection class:	2
Up&Down system:	N/A
Touch dimmer:	N/A
Click&Dimm system:	N/A
Magnetic mounting:	N/A
LED lighting method:	N/A
Lamp material:	Metal, Oak wood
Lamp color:	Black, Oiled Oak
Lampshade No.:	A1537
Lampshade material:	Jacquard fabric
Lampshade color:	Brown-Black-Golden
Cable material:	N/A
Cable color:	N/A
CE Declaration:	Download
FSC certificate:	FSC-C129231

Lamp dimensions

Height (mm):	300
Width (mm):	220
Length (mm):	250
Diameter (mm):	
Net weight kg:	0,40
Gross weight kg:	0,92

Dimensions of carton No.1

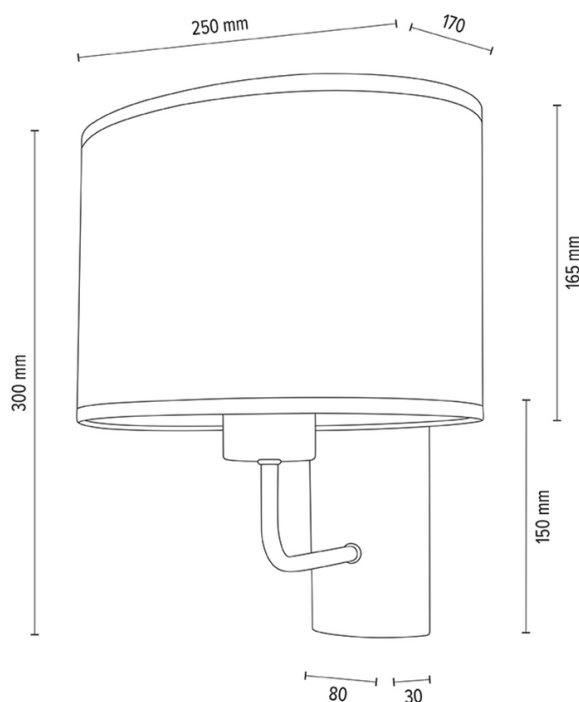
Height (mm):	320
Width (mm):	220
Length (mm):	290

Dimensions of carton No.2

Height (mm):	n/a
Width (mm):	n/a
Length (mm):	n/a

Dimensions of carton No.3

Height (mm):	n/a
Width (mm):	n/a
Length (mm):	n/a



Made in Poland · 5 Years Guarantee