

# MERCEDES

## Wall lamp



|                            |                             |
|----------------------------|-----------------------------|
| Article number:            | 2017400111525               |
| EAN:                       | 5905840252709               |
| Light source:              | 1xE27 Max.40W               |
| LED power W:               | N/A                         |
| AC voltage:                | 220-240V                    |
| Luminous power lm:         | N/A                         |
| Color temperature K:       | N/A                         |
| Color rendering index CRI: | N/A                         |
| IP protection class:       | IP20                        |
| Protection class:          | 2                           |
| Up&Down system:            | N/A                         |
| Touch dimmer:              | N/A                         |
| Click&Dimm system:         | N/A                         |
| Magnetic mounting:         | N/A                         |
| LED lighting method:       | N/A                         |
| Lamp material:             | Metal, Oak wood             |
| Lamp color:                | Nickel Matt, Oiled Oak      |
| Lampshade No.:             | A1525                       |
| Lampshade material:        | Jacquard fabric             |
| Lampshade color:           | Cream-Silver                |
| Cable material:            | N/A                         |
| Cable color:               | N/A                         |
| CE Declaration:            | <a href="#">Download</a>    |
| FSC certificate:           | <a href="#">FSC-C129231</a> |

### Lamp dimensions

|                  |      |
|------------------|------|
| Height (mm):     | 300  |
| Width (mm):      | 220  |
| Length (mm):     | 250  |
| Diameter (mm):   |      |
| Net weight kg:   | 0,40 |
| Gross weight kg: | 0,92 |

### Dimensions of carton No.1

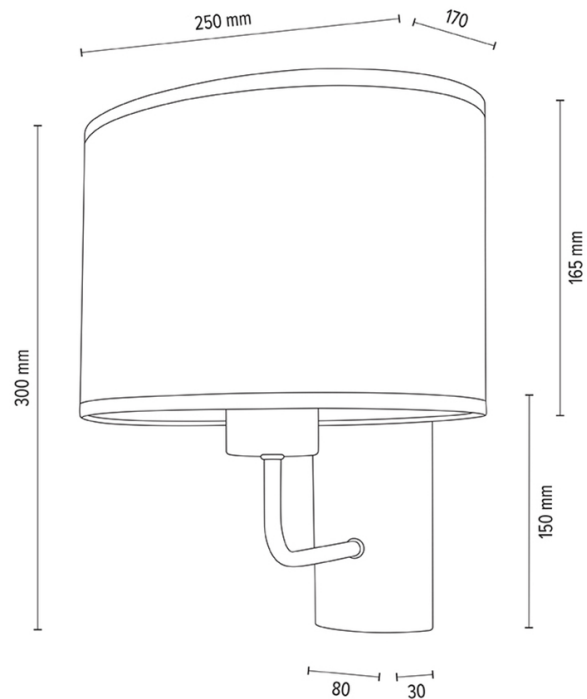
|              |     |
|--------------|-----|
| Height (mm): | 320 |
| Width (mm):  | 220 |
| Length (mm): | 290 |

### Dimensions of carton No.2

|              |     |
|--------------|-----|
| Height (mm): | n/a |
| Width (mm):  | n/a |
| Length (mm): | n/a |

### Dimensions of carton No.3

|              |     |
|--------------|-----|
| Height (mm): | n/a |
| Width (mm):  | n/a |
| Length (mm): | n/a |



Made in Poland · 5 Years Guarantee