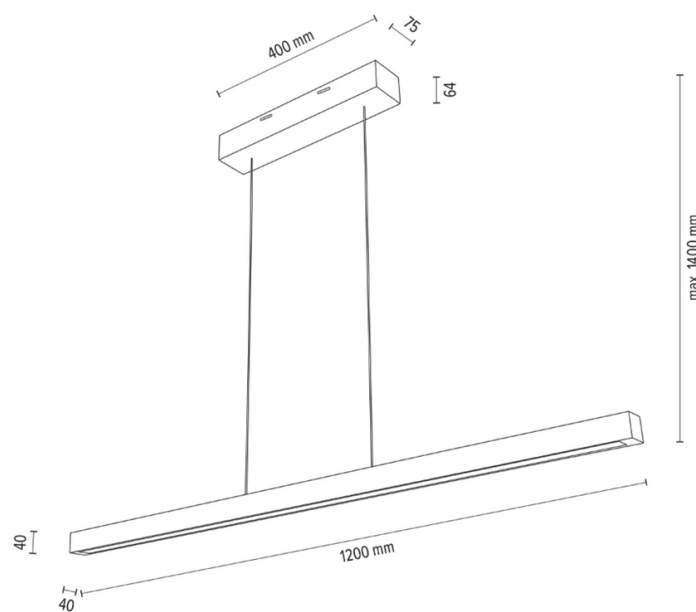
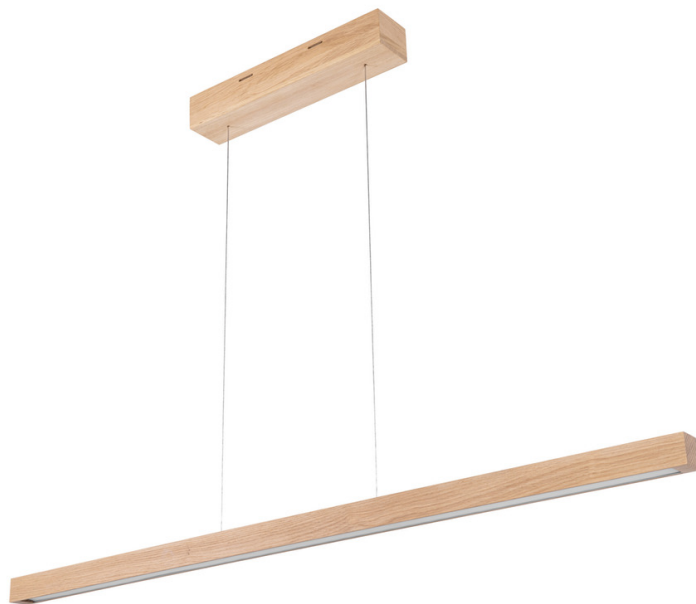


# SMAL

## Pendant Lamp



Article number:	1017403600000
EAN:	5905840254062
Light source:	1x LED 24V Integrated
LED power W:	36.9W
AC voltage:	220-240V
Luminous power lm:	1696 lm
Color temperature K:	2700-6500K
Color rendering index CRI:	CRI ≥ 85
IP protection class:	IP20
Protection class:	2
Up&Down system:	YES
Touch dimmer:	YES
Click&Dimm system:	N/A
Magnetic mounting:	N/A
LED lighting method:	Direct LED lighting
Lamp material:	Oak wood
Lamp color:	Oiled Oak
Lampshade No.:	N/A
Lampshade material:	N/A
Lampshade color:	N/A
Cable material:	Metal/PVC
Cable color:	Metal/Transparent
CE Declaration:	<a href="#">Download</a>
FSC certificate:	<a href="#">FSC-C129231</a>
Lamp dimensions	
Height (mm):	1400
Width (mm):	60
Length (mm):	1200
Diameter (mm):	
Net weight kg:	1,40
Gross weight kg:	1,70
Dimensions of carton No.1	
Height (mm):	150
Width (mm):	120
Length (mm):	1230
Dimensions of carton No.2	
Height (mm):	n/a
Width (mm):	n/a
Length (mm):	n/a
Dimensions of carton No.3	
Height (mm):	n/a
Width (mm):	n/a
Length (mm):	n/a



Made in Poland · 5 Years Guarantee