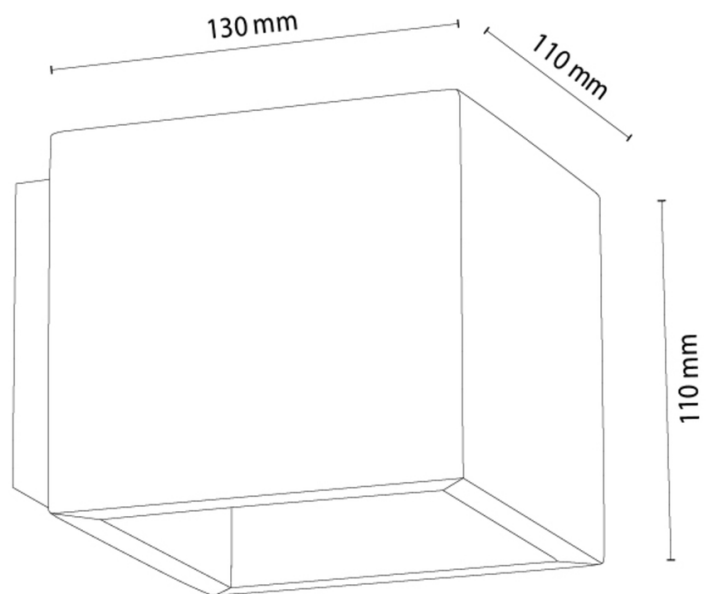


# BLOCK

## Wall lamp



|                            |                             |
|----------------------------|-----------------------------|
| Article number:            | 2017422710000               |
| EAN:                       | 5905840270598               |
| Light source:              | 1xG9 Max.6W                 |
| LED power W:               | N/A                         |
| AC voltage:                | 220-240V                    |
| Luminous power lm:         | N/A                         |
| Color temperature K:       | N/A                         |
| Color rendering index CRI: | N/A                         |
| IP protection class:       | IP20                        |
| Protection class:          | 1                           |
| Up&Down system:            | N/A                         |
| Touch dimmer:              | N/A                         |
| Click&Dimm system:         | N/A                         |
| Magnetic mounting:         | N/A                         |
| LED lighting method:       | N/A                         |
| Lamp material:             | Metal, Oak wood             |
| Lamp color:                | Black, Oiled Oak            |
| Lampshade No.:             | N/A                         |
| Lampshade material:        | N/A                         |
| Lampshade color:           | N/A                         |
| Cable material:            | N/A                         |
| Cable color:               | N/A                         |
| CE Declaration:            | <a href="#">Download</a>    |
| FSC certificate:           | <a href="#">FSC-C129231</a> |
| Lamp dimensions            |                             |
| Height (mm):               | 110                         |
| Width (mm):                | 110                         |
| Length (mm):               | 130                         |
| Diameter (mm):             |                             |
| Net weight kg:             | 0,86                        |
| Gross weight kg:           | 1,1                         |
| Dimensions of carton No.1  |                             |
| Height (mm):               | 155                         |
| Width (mm):                | 125                         |
| Length (mm):               | 125                         |
| Dimensions of carton No.2  |                             |
| Height (mm):               | N/A                         |
| Width (mm):                | N/A                         |
| Length (mm):               | N/A                         |
| Dimensions of carton No.3  |                             |
| Height (mm):               | N/A                         |
| Width (mm):                | N/A                         |
| Length (mm):               | N/A                         |



Made in Poland · 5 Years Guarantee