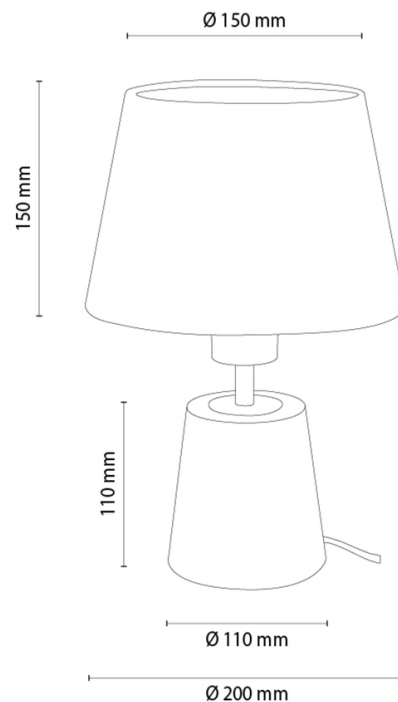


# ARDEN

## Table lamp



|                            |                             |
|----------------------------|-----------------------------|
| Article number:            | 7017403111412               |
| EAN:                       | 5905840255311               |
| Light source:              | 1xE27 Max.25W               |
| LED power W:               | N/A                         |
| AC voltage:                | 220-240V                    |
| Luminous power lm:         | N/A                         |
| Color temperature K:       | N/A                         |
| Color rendering index CRI: | N/A                         |
| IP protection class:       | IP20                        |
| Protection class:          | 2                           |
| Up&Down system:            | N/A                         |
| Touch dimmer:              | N/A                         |
| Click&Dimm system:         | N/A                         |
| Magnetic mounting:         | N/A                         |
| LED lighting method:       | N/A                         |
| Lamp material:             | Metal, Oak wood             |
| Lamp color:                | Black, Oiled Oak            |
| Lampshade No.:             | A1412                       |
| Lampshade material:        | Fabric                      |
| Lampshade color:           | Black                       |
| Cable material:            | Synthetic                   |
| Cable color:               | Black                       |
| CE Declaration:            | <a href="#">Download</a>    |
| FSC certificate:           | <a href="#">FSC-C129231</a> |
| Lamp dimensions            |                             |
| Height (mm):               | 305                         |
| Width (mm):                | N/A                         |
| Length (mm):               | N/A                         |
| Diameter (mm):             | N/A                         |
| Net weight kg:             | 0,75                        |
| Gross weight kg:           | 0,95                        |
| Dimensions of carton No.1  |                             |
| Height (mm):               | 230                         |
| Width (mm):                | 220                         |
| Length (mm):               | 220                         |
| Dimensions of carton No.2  |                             |
| Height (mm):               | N/A                         |
| Width (mm):                | N/A                         |
| Length (mm):               | N/A                         |
| Dimensions of carton No.3  |                             |
| Height (mm):               | N/A                         |
| Width (mm):                | N/A                         |
| Length (mm):               | N/A                         |



Made in Poland · 5 Years Guarantee